

Bends

BPL/BP-15



Description

BPL pressed bend, seam-welded and calibrated, with double EPDM gasket.

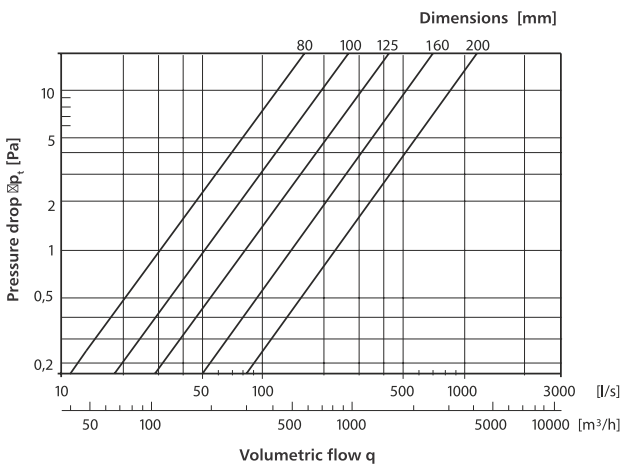
BP pressed bend, seam-welded and calibrated, without gasket.

Example identification

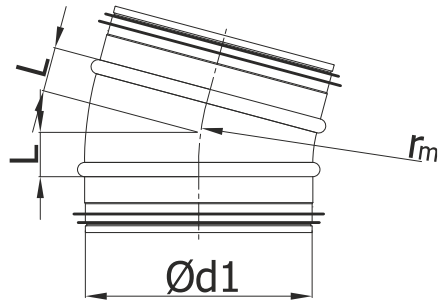
Product code: **BPL - aaa - 15**

type _____
 $\varnothing d_1$ _____
 \circ _____

Technical Data



Dimensions



$r_m \varnothing 1 \times d_1$

$\varnothing d_1$ rated [mm]	L [mm]	weight [kg]
80	13	0,2
100	13	0,3
112	16	0,3
125	16	0,3
140	18	0,4
150	20	0,4
160	21	0,5
180	23	0,6
200	26	0,6