

Bends

# BPL/BP-30



## Description

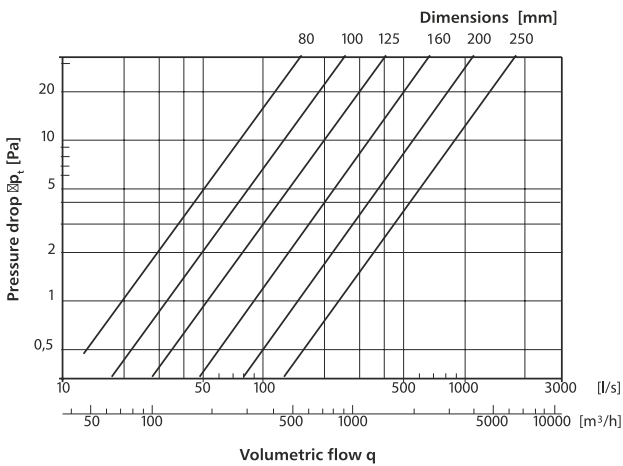
BPL – pressed bend, seam-welded and calibrated, with double EPDM gasket .  
 BP – pressed bend, seam-welded and calibrated, without gasket .

### Example identification

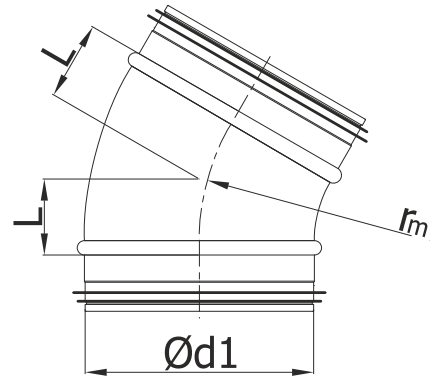
Product code: **BPL - aaa - 30**



## Technical Data



## Dimensions



$r_m \varnothing 1 \times d_1$

$\varnothing d_1$ rated [mm]	L [mm]	weight [kg]
80	27	0,2
100	27	0,3
125	33	0,3
140	36	0,4
150	40	0,4
160	43	0,5
180	48	0,6
200	54	0,7
250	67	1,4