

Bends

BPL-45



Description

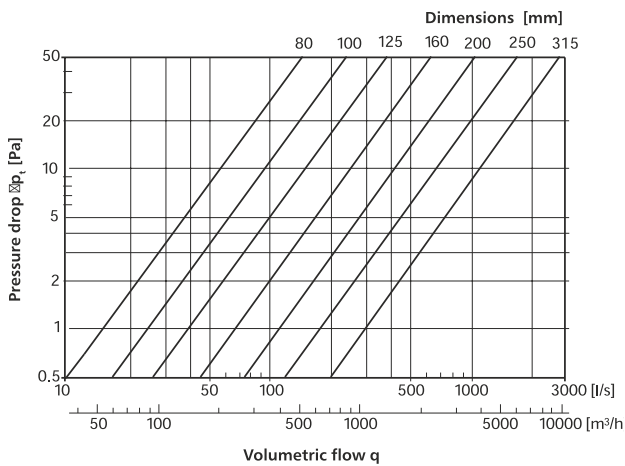
BPL – pressed bend .Seam-welded and calibrated with double EPDM gasket .

Example identification

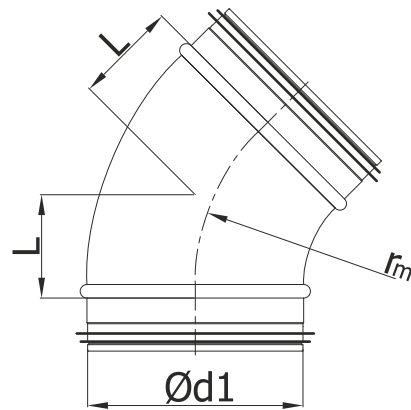
Product code: **BPL - aaa - 45**

type _____
 $\varnothing d_1$ _____
 ° _____

Technical Data



Dimensions



$r_m \varnothing 1 \times d_1$

$\varnothing d_1$ rated [mm]	L [mm]	weight [kg]
80	41	0,2
100	41	0,3
125	52	0,4
140	56	0,4
150	62	0,6
160	66	0,6
180	75	0,7
200	83	0,9
250	104	1,3