

## Long range nozzle

# KHA



### Description

Long range nozzles KHA are applicable in high premises with high volume such as theatre, cinema and industrial halls. High volume flow of air is accompanied by a low level of sound pressure what guarantees a large range of air supply.

It is possible to apply the nozzle both for horizontal and vertical air supply.

The design of the iris-type lifting element allows to change the stream of air in any direction for 30° without causing changes in resistance and sound power.

**Material:** aluminium

**Finish:** powder painted acc. to RAL 9016

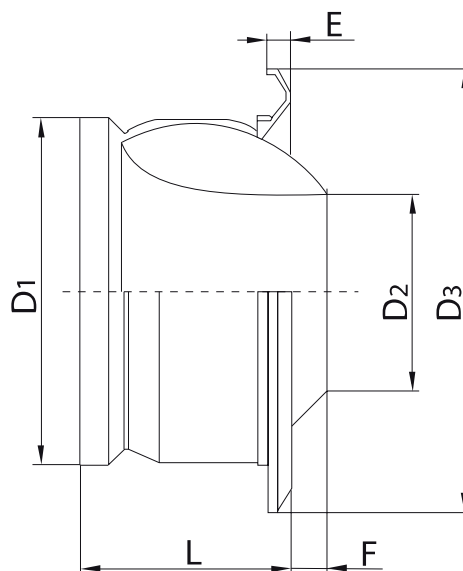
**Standard colour:** white

#### Example identification

Product code: **KHA** - **aaa**

type \_\_\_\_\_  
 $\varnothing D_1$  \_\_\_\_\_

### Dimension



$\varnothing D_1$ [mm]	$\varnothing D_2$ [mm]	$\varnothing D_3$ [mm]	E [mm]	F [mm]	L [mm]
100	55	148	20	-2	95
125	64	185	10	4	89
160	82	210	21	10	123
200	108	273	16	14	127
250	135	301	24	17	175
315	180	380	25	30	180
400	230	483	24	47	223
500	255	625	47	50	270

# Long range nozzle

# KHA

## Technical Data

dimension [mm]	stream range						V [m/s]
	10 m		20 m		30 m		
	q [m <sup>3</sup> /h]	L <sub>A</sub> dB(A)	q [m <sup>3</sup> /h]	L <sub>A</sub> dB(A)	q [m <sup>3</sup> /h]	L <sub>A</sub> dB(A)	
100	-	-	26	31	39	42	0,25
125	-	-	34	27	50	37	
160	23	<20	46	<20	69	32	
200	29	<20	61	<20	85	26	
250	37	<20	76	<20	106	23	
315	50	<20	96	<20	150	21	
400	65	<20	129	<20	195	<20	
100	26	31	52	50	-	-	0,5
125	34	27	68	46	-	-	
160	46	<20	92	39	138	50	
200	61	<20	121	36	182	47	
250	76	<20	152	32	229	43	
315	98	<20	195	27	293	39	
400	129	<20	258	27	387	37	
100	52	50	-	-	-	-	1,0
125	68	46	-	-	-	-	
160	92	39	-	-	-	-	
200	121	36	242	49	-	-	
250	152	32	305	51	-	-	
315	195	27	390	47	585	53	
400	258	27	546	45	773	51	

L<sub>A</sub> dB(A) - sound pressure level

q [m<sup>3</sup>/h] - volumetric flow

V [m/s] - flow rate