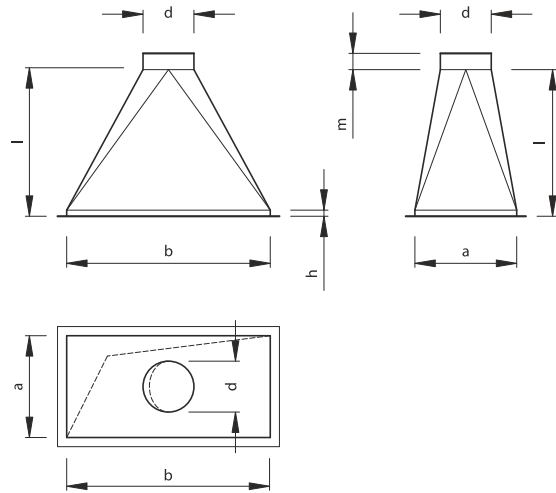


Concentric Rectangular-to-Round Reducer

PR1/PRL1



Dimensions

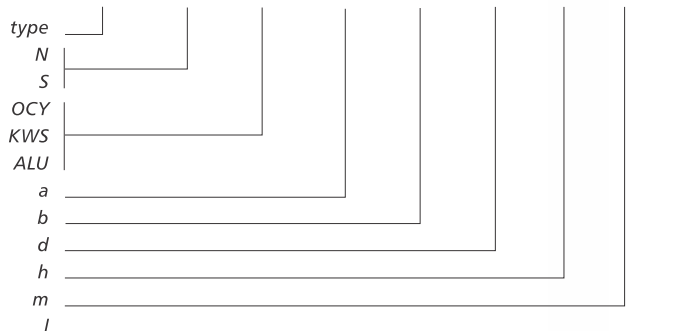


Description

The conversion is used to change the cross-section of the duct system from rectangular to round. The fitting enables to maintain the concentricity of the duct system, i.e. the axes of the rectangular and the round dimensions match each other. The rectangular take-off is typically provided with an end cover. The round take-off has usually a male end. The PRL1 fitting comes with a gasketed male end.

Example identification

product code **PR1 - N - OCY - 500 × 300 - 250 - 30 - 30 - 800**



- PR1 without gasket
- PRL1 with gasket
- N low pressure
- S medium pressure
- OCY galvanised material
- KWS acid-proof material
- ALU aluminium material
- a width
- b height

- d diameter
- h extension (by default, $h = 30\text{ mm}$)
- m extension (by default, $m = 50\text{ mm}$)
- l length

The components are usually fabricated with standard dimensions, and there is no need to specify them.