

# Circular silencers

## SIBL



### Description

The silencers are usually supplied with SPIRAL®system sealing. Diameters  $d_1 \geq 315$  mm require additional NSL couplings to be ordered, which should be installed in the silencer prior to installation. These male ends are not silencer parts, and they should be ordered separately.

Glass mineral wool inside with thickness:

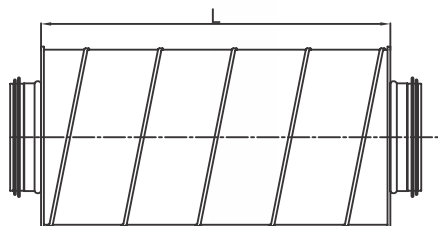
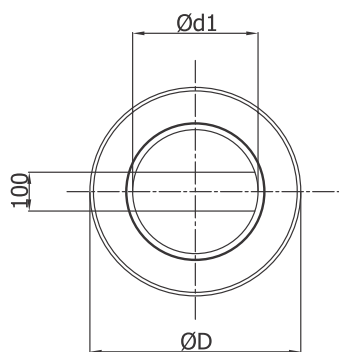
**100 mm dla SIBL-100** - depending on the dimension of the outer casing

### Example identification

Product code: **SIBL - aaa - bbb**

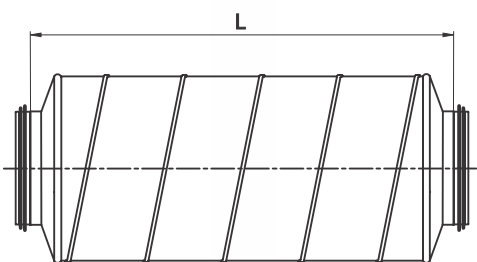
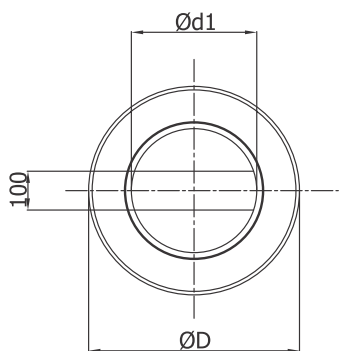
type \_\_\_\_\_  
 $\varnothing d_1$  \_\_\_\_\_  
 L \_\_\_\_\_

### Dimensions



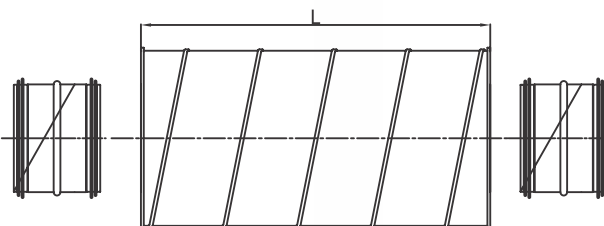
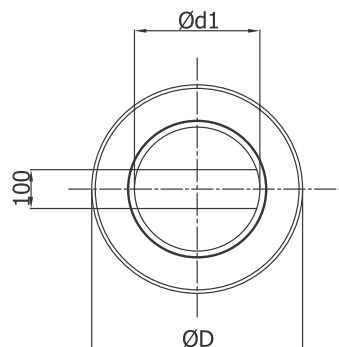
Cross-section for individual types: SIBL, SIBRL,  $d_1 \geq 315$  mm.

Not applicable diameters: D-100, D-125, D-160, D-200, D-250 - in the embodiment of the insulation thickness of 50 mm.



Cross-section for silencers: SIBL, SIBRL in the embodiment of the insulation thickness of 50 mm and applicable diameters: D-100, D-125, D-160, D-200, d-250.

Silencers made with pressed reductions.



Cross-section for individual types: SIBL, SIBRL,  $d_1 \geq 315$  mm

Circular silencers

# SIBL

## Dimensions

SIBL - 100 mm thickness insulation

Description	$d_i$										
	[mm]	[mm]	[mm]	125	250	500	1000	2000	4000		
SIBL 315-600	315	500	600	7	15	18	26	34	24	15	
315-900	315	500	900	11	18	26	37	40	28	22	
315-1200	315	500	1200	15	21	33	41	46	40	29	
SIBL 400-600	400	600	600	8	9	16	22	24	19	20	
400-900	400	600	900	11	14	22	34	32	23	30	
400-1200	400	600	1200	11	21	30	38	43	28	40	
SIBL 500-900	500	710	900	8	12	19	27	21	19	40	
500-1200	500	710	1200	10	16	26	35	29	22	53	
SIBL 630-1200	630	800	1200	8	11	23	38	23	19	62	
630-1500	630	800	1500	10	15	23	39	26	20	78	
SIBL 800-1200	800	1000	1200	5	9	17	23	21	16	80	
800-1500	800	1000	1500	5	12	19	26	23	18	99	

## Technical Data

