

# Duct Fan DV-PP



## Description

Duct fan DV-PP is used for pumping and exhaust air ducts. Duct fan DV-PP are ideal for air extraction in bathrooms and others spaces. Small dimensions fan DV-PP easy installation in hard to reach places where space is limit

### Material:

- housing: polypropylene plastic
- impeller: ABS

**Ingress protection:** IP44 (for DV-PP-100-130: IPX2)

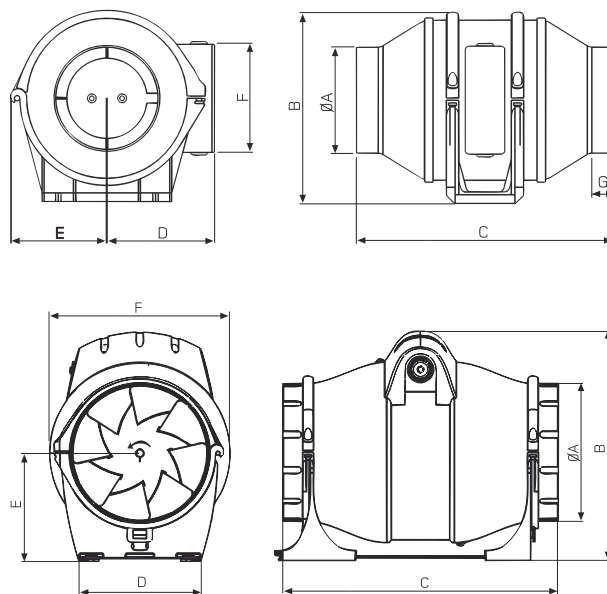
**Insulation class:** B (not in DV-PP-100-130)

### Example identification

Product code: **DV-PP** - **aaa**

type  
A

## Dimensions



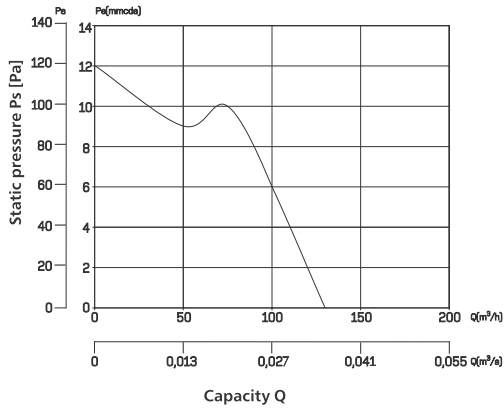
Type	ØA [mm]	B [mm]	C [mm]	D [mm]	E [mm]	F [mm]	G [mm]
DV-PP-100-130	98	177	238	100	89	100	20
DV-PP-100-270	98	230	310	130	115	170	20
DV-PP-125-320	122	217	262	100	100	168	21
DV-PP-150-560	147	244	293	130	115	192	21
DV-PP-160-560	157	244	313	130	115	192	21
DV-PP-200-910	197	278	354	142	140	230	52

Type	Air Flow [m <sup>3</sup> /h]	Input Power [W]	Current [A]	Speed [obr/min]	Voltage [V]	Noise level [dB]
DV-PP-100-130	130	25	0,16	2200	230	24
DV-PP-100-270	270/190	30/18	0,18/0,10	2300/1700	230	30/24
DV-PP-125-320	365/250	30/18	0,18/0,10	2300/1700	230	32/26
DV-PP-150-560	595/420	80/60	0,36//0,27	2700/2000	230	33/27
DV-PP-160-560	595/425	80/60	0,36/0,27	2700/2000	230	33/27
DV-PP-200-910	910/820/720	85/65/55	0,34/0,27/0,24	2700/2000/1800	230	39/34/32

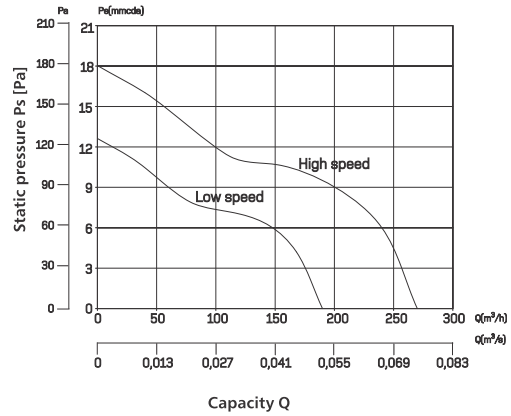
# Duct Fan DV-PP

## Dimensions

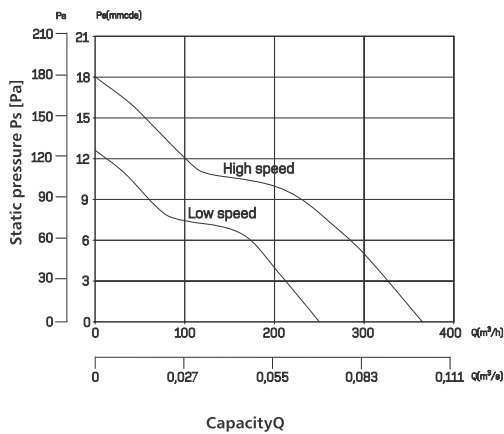
Fan flow curves DV-PP-100-130



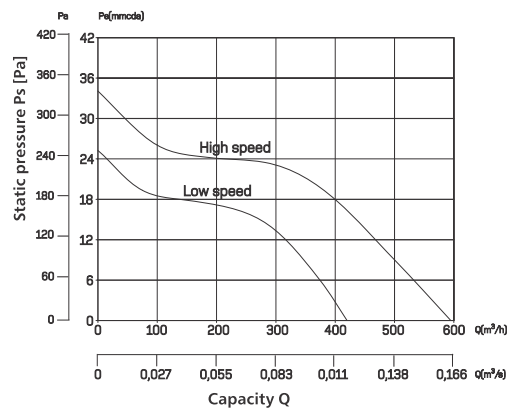
Fan flow curves DV-PP-100-270



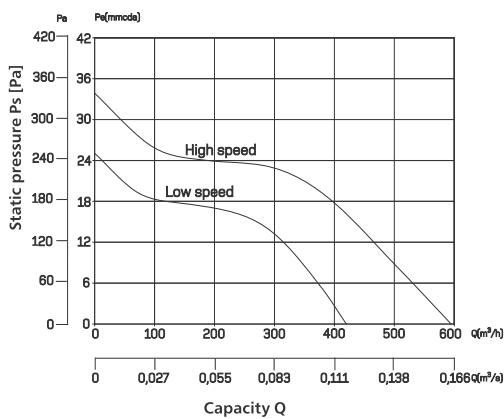
Fan flow curves DV-PP-125-320



Fan flow curves DV-PP-150-560



Fan flow curves DV-PP-160-560



Fan flow curves DV-PP-200-910

