

# Duct brackets

## EQRS



### Description

The type R bracket is used for the suspension of round ducts. The bracket is then fitted onto the duct surface using self-tapping screws. Thickness: 2,0 mm.

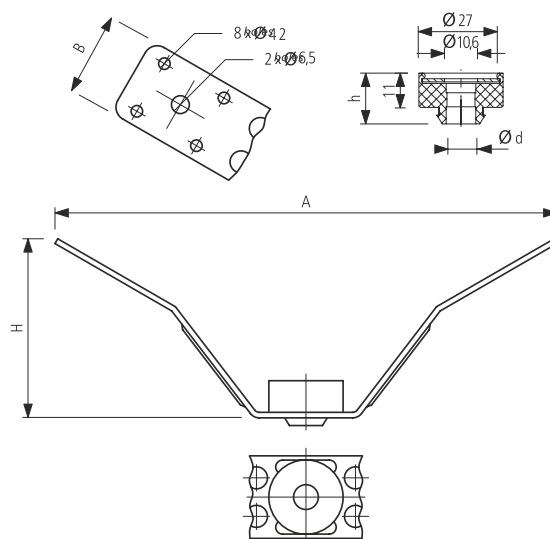
#### Example identification

Product code:

EQRS

type \_\_\_\_\_

### Dimensions



A [mm]	B [mm]	H [mm]	h [mm]	Ød [mm]
182,5	30	65	16,3	9