



Description

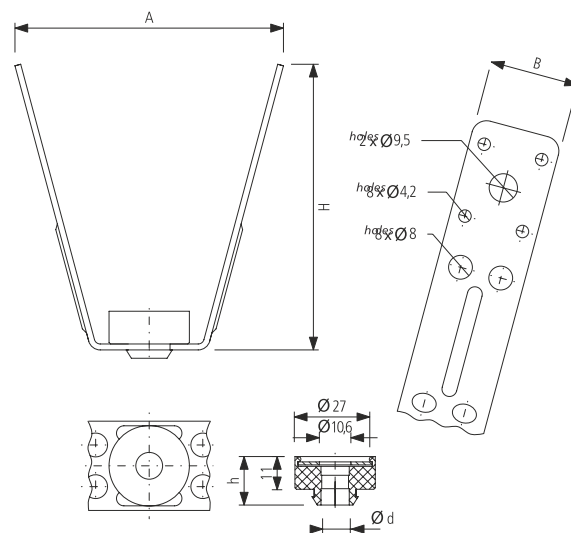
Suitable for reliable and easy assembly of all types of duct systems. With the V-type trapezium suspension you can suspend various components from a trapezium sheet metal roof structure using self-tapping screws.

Example identification

Product code: EQVS

type _____

Dimensions



| A [mm] | B [mm] | H [mm] | h [mm] | Ød [mm] |
|-----------|-----------|-----------|-----------|------------|
| 84 | 30 | 95 | 18,9 | 10 |

| Typ | Characteristic load F_k [kN] | Recommended load F_r [kN] |
|------|-----------------------------------|--------------------------------|
| EQVS | 1,0 | 0,5 |