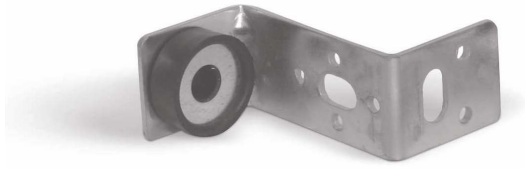


Rectangular duct brackets

EQZS



Description

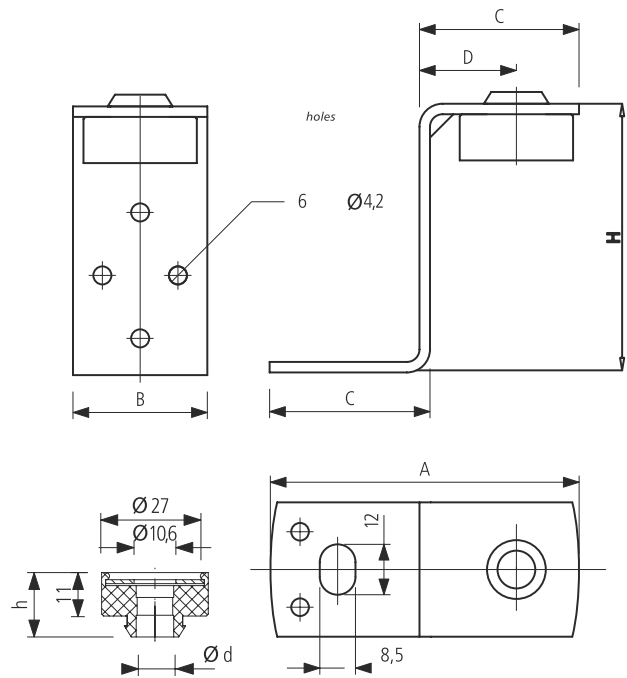
Suitable for quick installation of rectangular ventilation ducts, especially using threaded rods and self-tapping screws. Thickness: 2,3 mm.

Example identification

Product code: **EQZS**

type _____

Dimensions



A	B	C	D	H	h	$\varnothing d$
[mm]	[mm]	[mm]	[mm]	[mm]	[mm]	[mm]
73,5	30	38	23	63,5	18	9

Typ	Characteristic load F_k [kN]	Recommended load F_z [kN]
EQZS	1,2	0,6