

# Side Corners for Rectangular Ducts

## NQ-SH



### Description

NQ-SH galvanized duct corners are used to connect frame profiles with similar dimensions, to create a connecting frame for two square ducts.

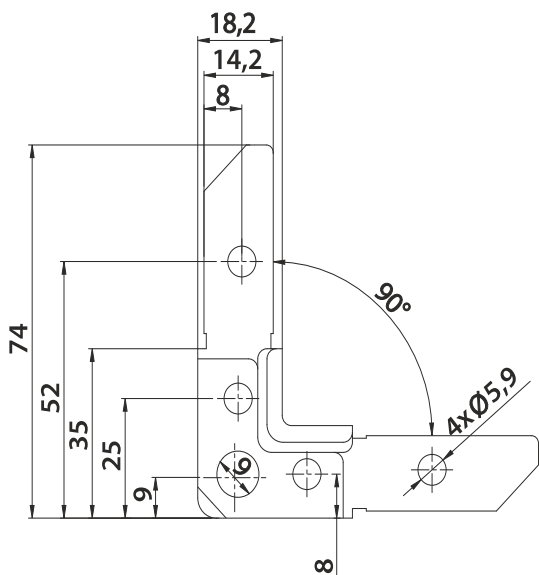
#### Example identification

Product code: NQ-20-SH

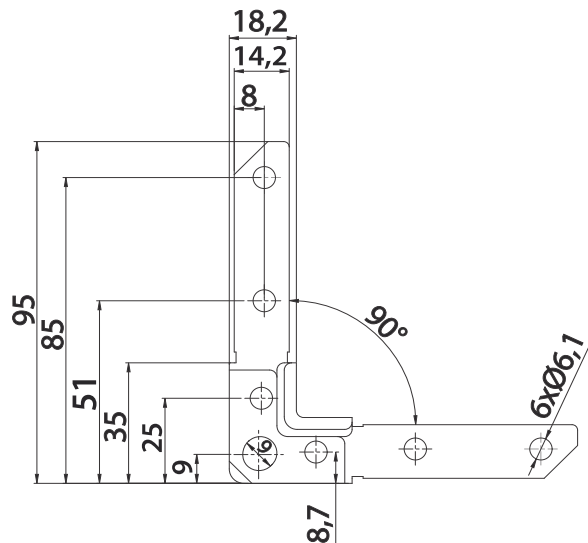
type \_\_\_\_\_

### Dimensions

Side Corner NQ-20-SH



Side Corner NQ-20L-SH



Side Corner NQ-30-SH

